

SAMZON

A/S DENMARK

Standard

Pile turner 104 L



1300 mm. pile height.



Low maintenance design.



320 mm. closure.



1000 kg. lift.



Easy and safe turning.



Simplicity and technology combined

SamZon pile turners are designed so that platforms can close down to 320mm; this allows short runs to be turned without the use of additional pallets.

SamZon is designed and manufactured in Denmark. The machine has low maintenance requirements and is equipped with top quality components.

SamZon pile turner uses hydraulics to move both platforms simultaneously

SamZon has a self supporting frame which requires no foundation but should be fixed to the existing floor.

SamZon is user friendly, reducing downtime and operator injury associated with incorrect and repetitive lifting.

SamZon is competitively priced and can be supplied as a fully equipped machine:
SamZon 104 LVA - With aeration and vibration

Manufactured according to EC and fulfils directive 98/37/EC

Technical Data:

SamZon 104L

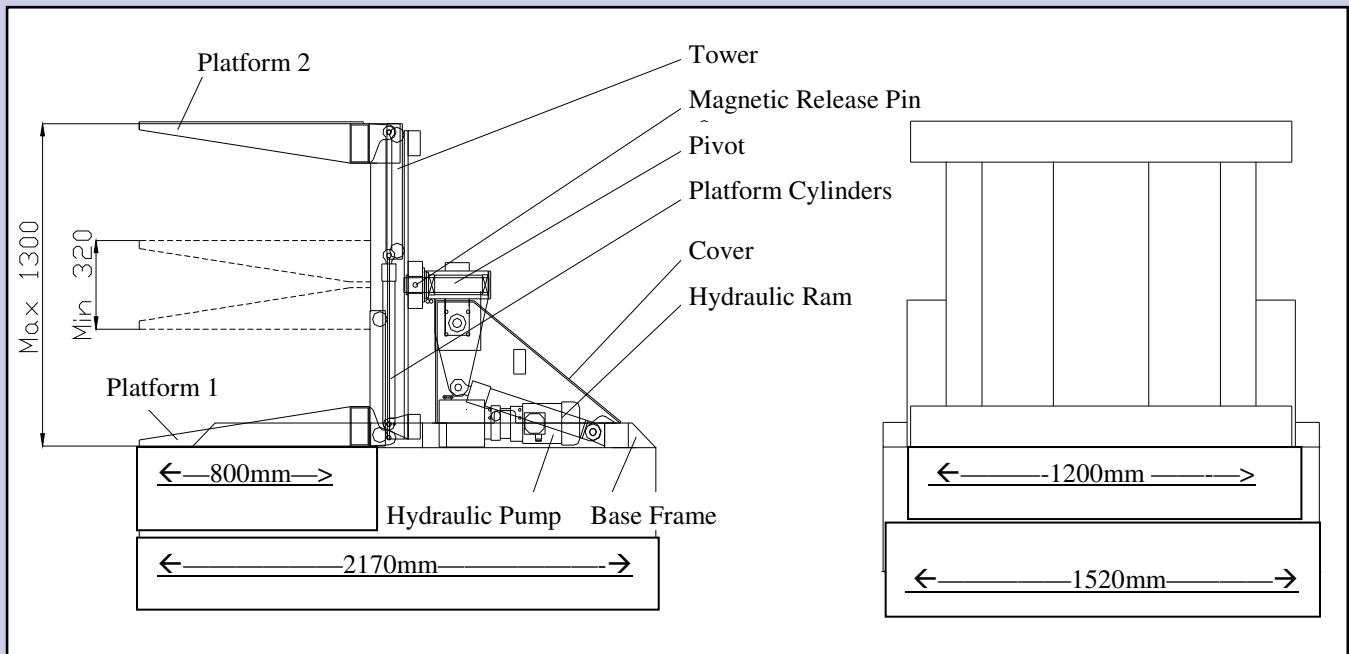
Lift Capacity:		1000 kg.
Pile height: min. (Including pallet)		320mm.
Pile height: max. (Including pallet)		1300 mm.
Paper size: min.		450 mm x 320 mm.
Paper size: max.		1200 mm x 800 mm.
Power supply:	400/220 volt 3 phase (various)	
Weight 104 L:		733 kg.

Magnetic pivot release and built in safety.

Manufactured according to EC and fulfils directive 98/37/EC

Option: Pressure control / Photocell

Footprint and dimensions of SamZon 104 L series pile turner



Appointed dealer and service:



CP Gluing Pty Ltd
102-106 Mahoneys Road
Thomastown 3074
Victoria Australia

Phone 03 9460 4600
Fax 03 9460 4700
Email sales@cpgluing.com.au
www.cpgluing.com.au